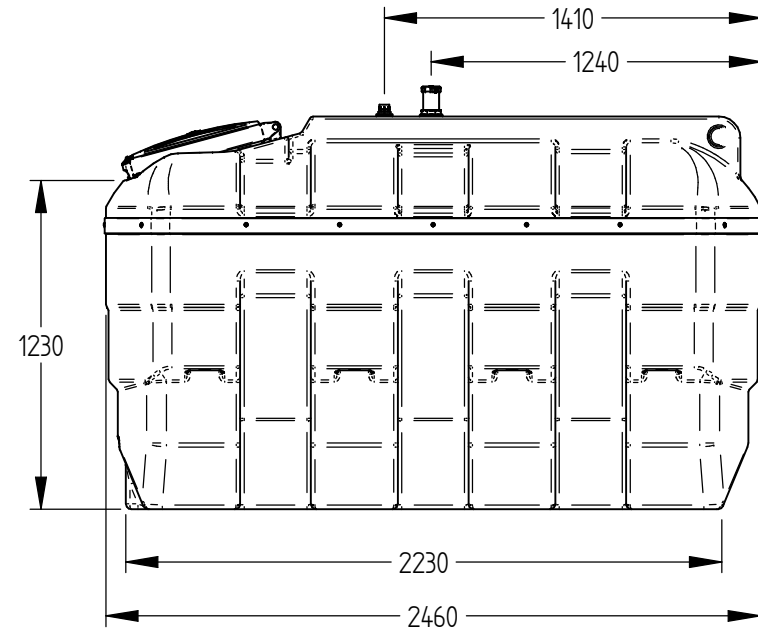
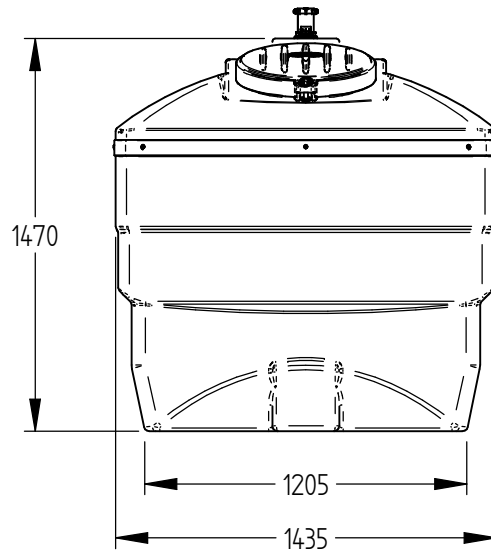


SUCTION  
1" BSP(M)

FILL POINT  
2" BSP(M)



00	01/04/2010	ECN087
Revision	Issue Date	ELN Reference

THE INFORMATION, DATA, AND DRAWINGS EMBODIED IN THIS DOCUMENT ARE STRICTLY CONFIDENTIAL AND ARE SUPPLIED WITH THE UNDERSTANDING THAT THEY WILL NOT BE DISCLOSED TO ANY THIRD PARTIES WITHOUT THE PRIOR WRITTEN CONSENT OF HARLEQUIN MANUFACTURING LTD

**COPYRIGHT** Sole property of Harlequin Manufacturing Ltd. All rights reserved

UNLESS OTHERWISE SPECIFIED, DIMENSIONS ARE IN MM  
LINEAR TOLERANCE  $\pm 0.25\text{mm}$ , ANGLES  $\pm 0.5^\circ$

DO NOT SCALE DRAWING - Use Figure Dimensions Only

**IF IN DOUBT, ASK**

TITLE: **2500LT Blue Bund**

NOTES:

DWG NO: 13-006-002	ISSUE DATE: 01/06/2011
REVISION: 01	DRAWN BY: JC
SHEET: 1 of 1	
FILE NAME: 2500BLB.dft	

**Harlequin**  
MANUFACTURING FOR TOMORROW

Harlequin Manufacturing Ltd  
21 Clarehill Road  
Moira  
Co. Armagh  
BT67 0PB  
www.harlequin-mfg.com